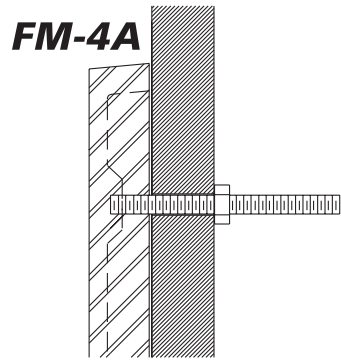
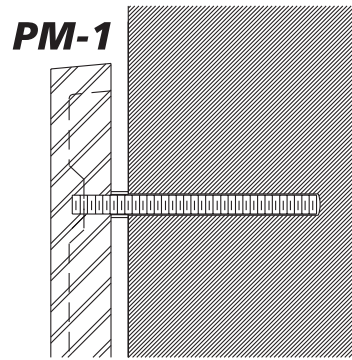


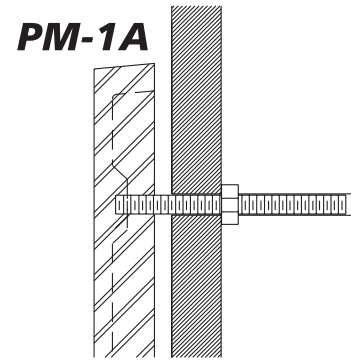
FM-4
flush stud mount
with threaded studs set in adhesive



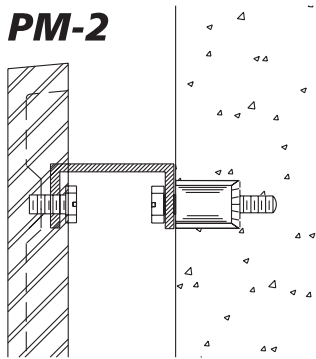
FM-4A
flush stud mount
bolted from the rear (no adhesive)



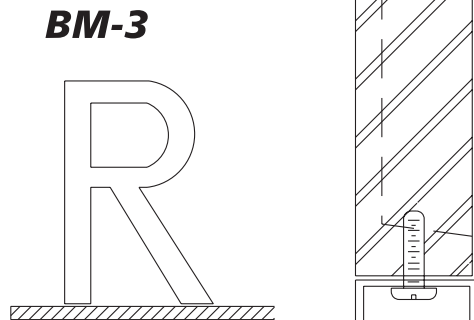
PM-1
projected stud mount
with spacers and threaded studs
set in adhesive



PM-1A
projected stud mount
with spacers and threaded studs
bolted from the rear (no adhesive)



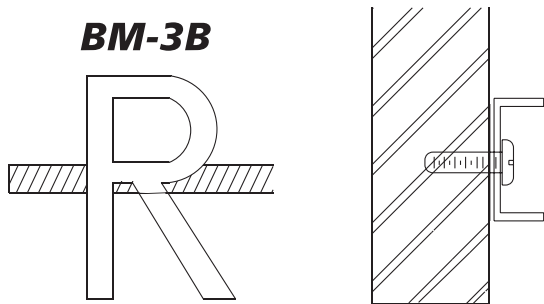
PM-2
projected mount
with brackets (minimum 2" projection)



BM-3
free standing channel or bar mount



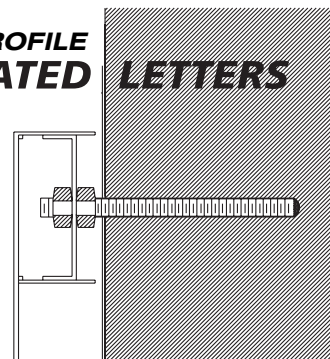
BM-3A
double back channel or bar mount



BM-3B
single back channel or bar mount

**TYPICAL PROFILE
FABRICATED**

LETTERS



**TYPICAL PROFILE
CAST**

