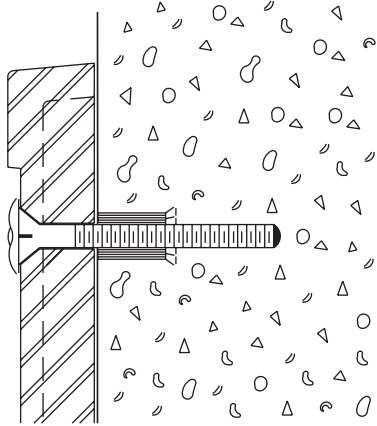
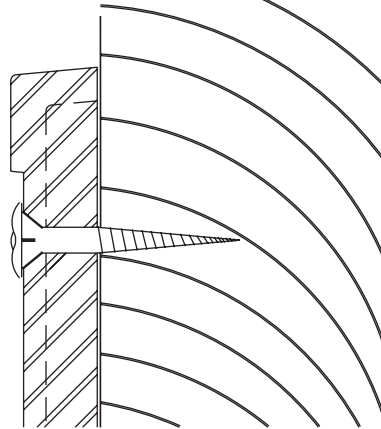


**No. 1**



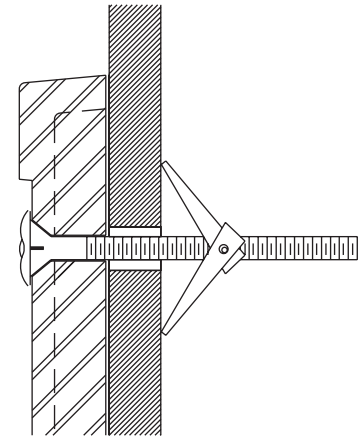
*For masonry  
expansion bolts with rosettes*

**No. 2**



*Wood walls  
flat head screws  
countersunk with rosettes*

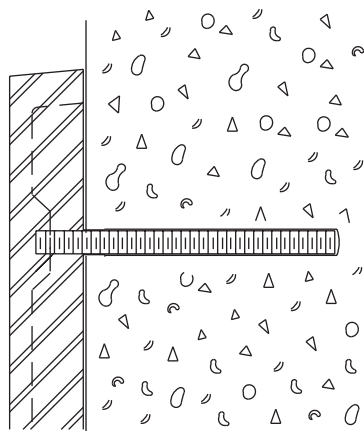
**No. 3**



*For Hollow walls  
toggle bolts  
with rosettes*

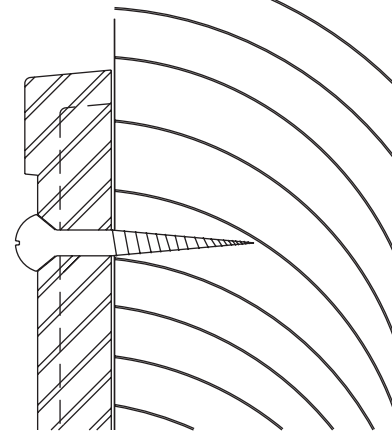
## ***STANDARD PLAQUE MOUNTINGS***

**No. 4**



*Concealed mounting  
for masonry*

**No. 5**



*Doors and wood walls  
oval head screws  
no rosettes*