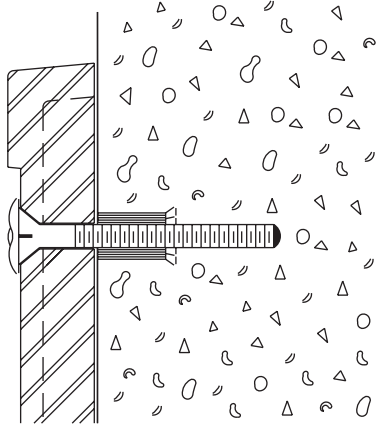
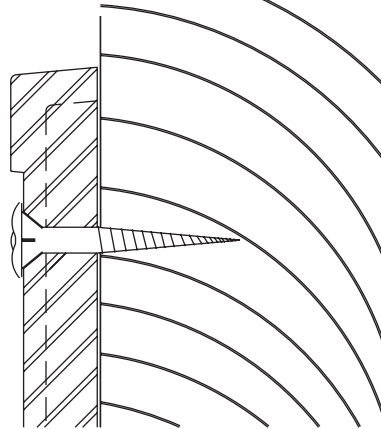


No. 1



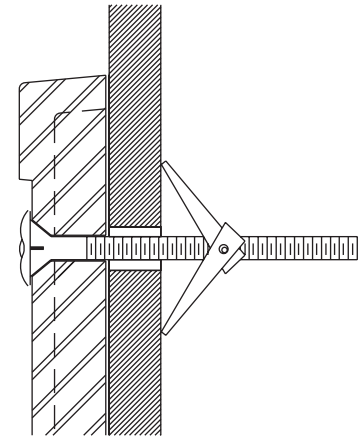
*For masonry
expansion bolts with rosettes*

No. 2



*Wood walls
flat head screws
countersunk with rosettes*

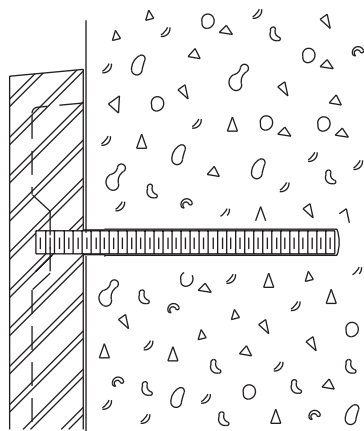
No. 3



*For Hollow walls
toggle bolts
with rosettes*

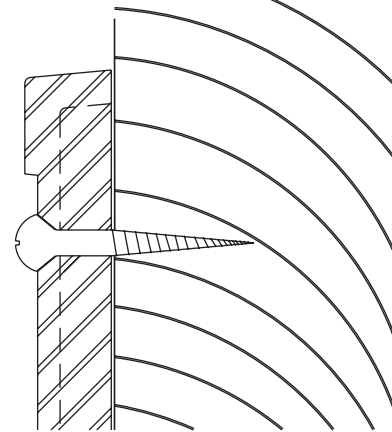
STANDARD PLAQUE MOUNTINGS

No. 4



*Concealed mounting
for masonry*

No. 5



*Doors and wood walls
oval head screws
no rosettes*